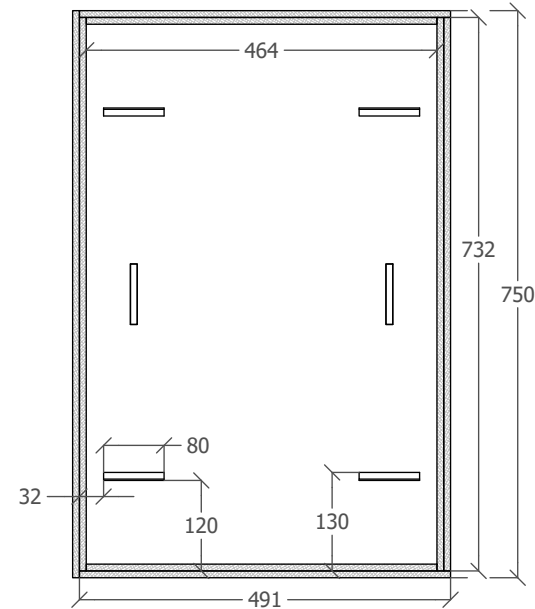
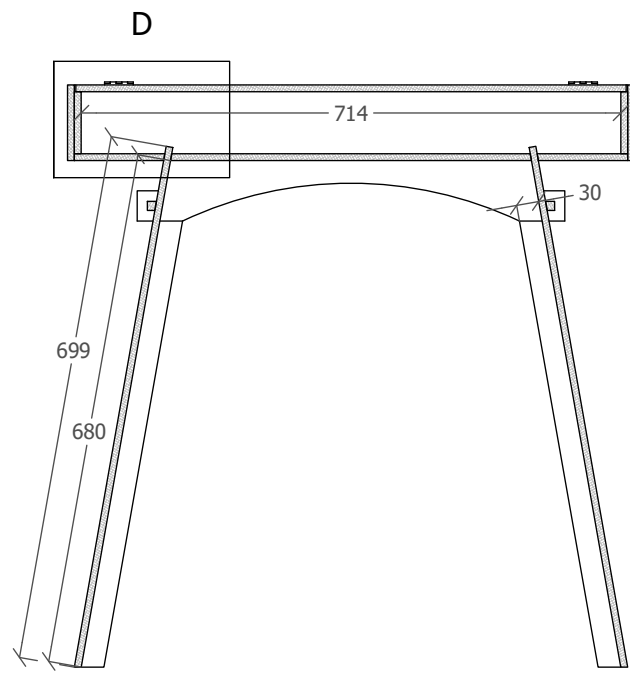
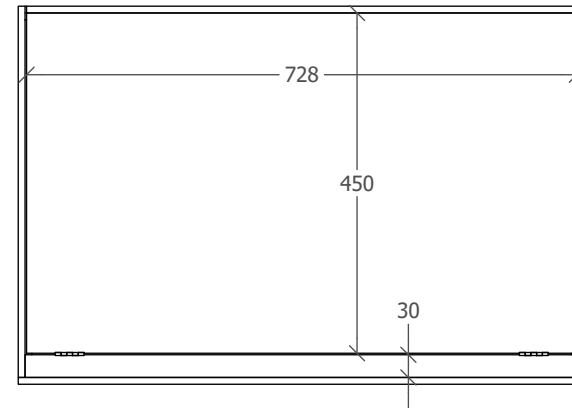


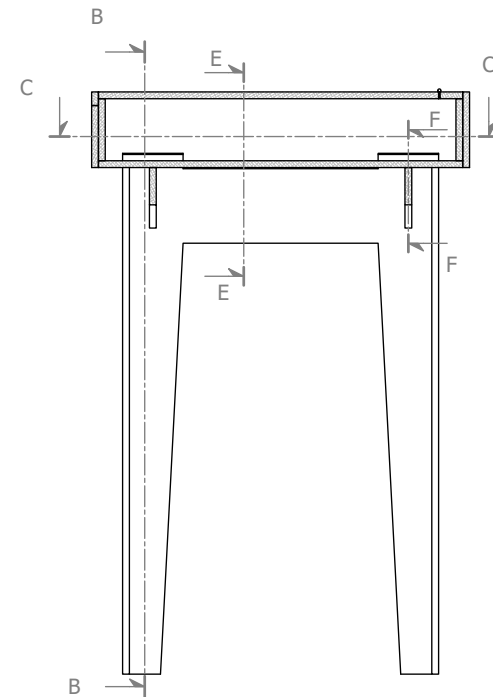
D (1 : 2)



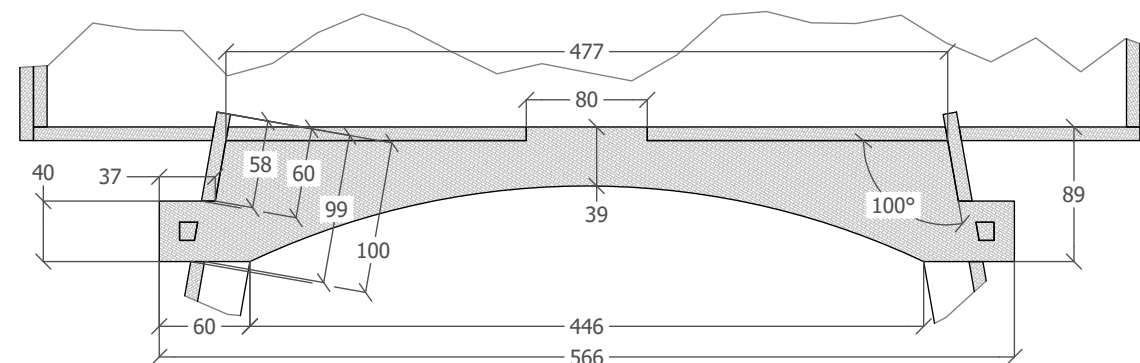
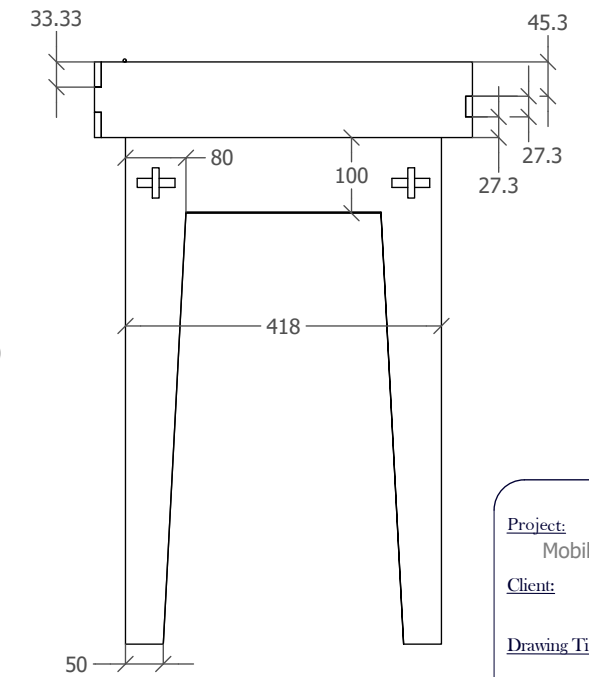
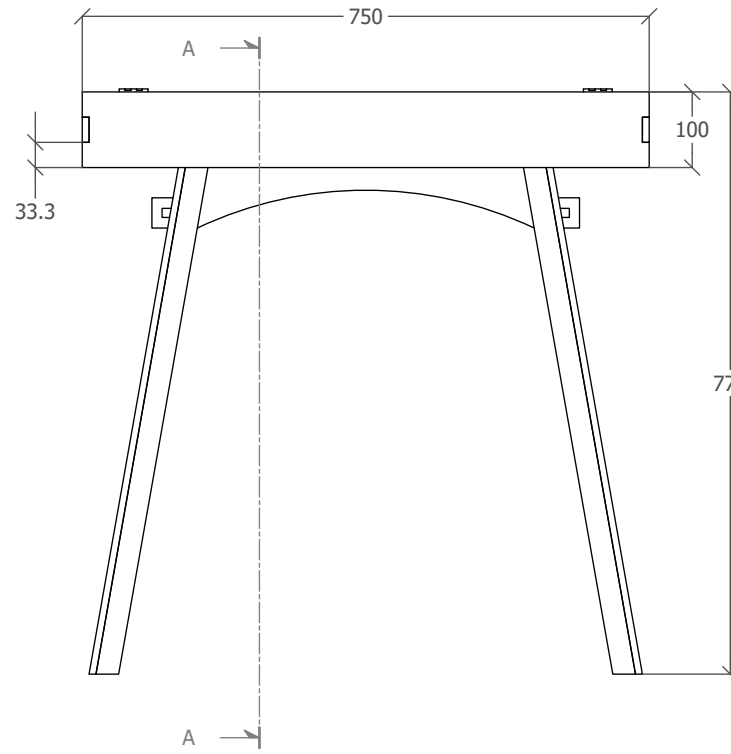
SECTION C-C (1:10)



SECTION B-B (1:10)



SECTION A-A (1:10)



SECTION F-F (1:5)

Project:
Mobile Draughting Desk

Client:

Drawing Title:

Scale:

Drawing Number:

Issue Date:

**Shawn Winn
Draughtsman**

Joinery, Engineering,
Mechanical & Electrical,
Construction Detailing.

7 Havelock Terrace
Yondertown, Devon PL21 9SP
07901-725795 / 01752-837494
shawn@devondraughtsman.co.uk